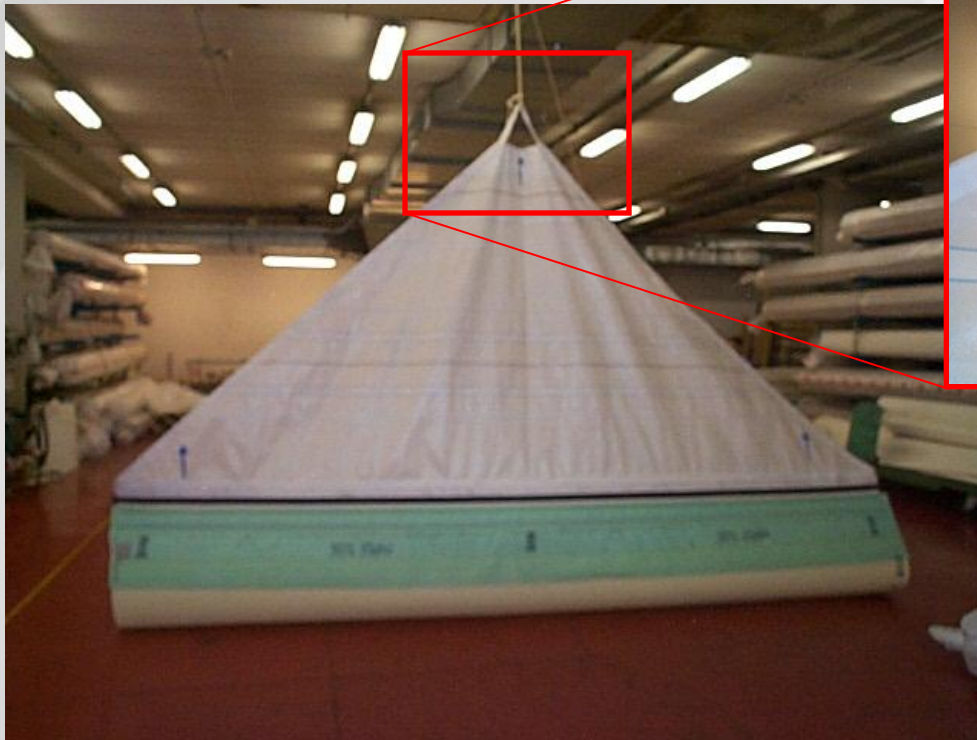


New Seamed Press Felts Leader

Total view and leading system



New Seamed Fabrics Leader

Version With leader not re-utilizable



Locking of the leader to the felt



Zippering the seam



System to lock the triangle to the felt



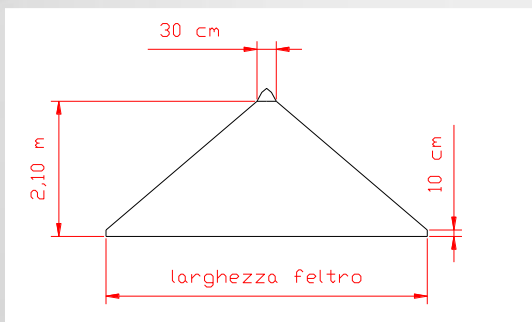
Total view of the triangle

New Seamed Fabrics Leader

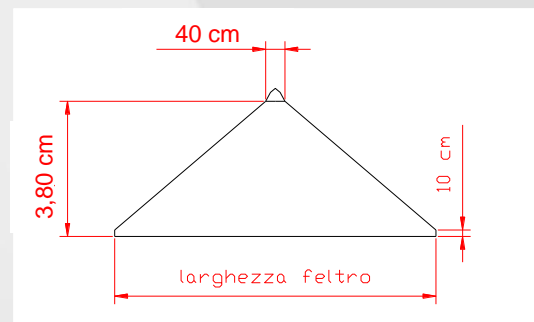
Advantages

- Improved strength thanks to the new dragging stripe;
- Reduced construction time;
- Possibility for re-utilization;

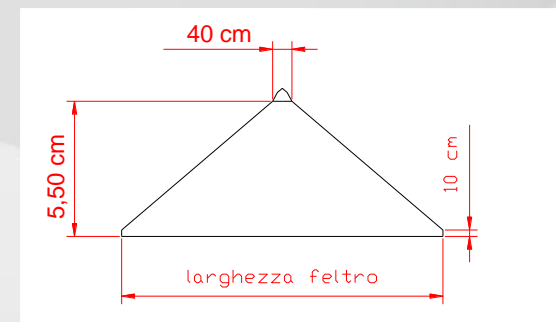
Possible versions:



Felt width up to 5m



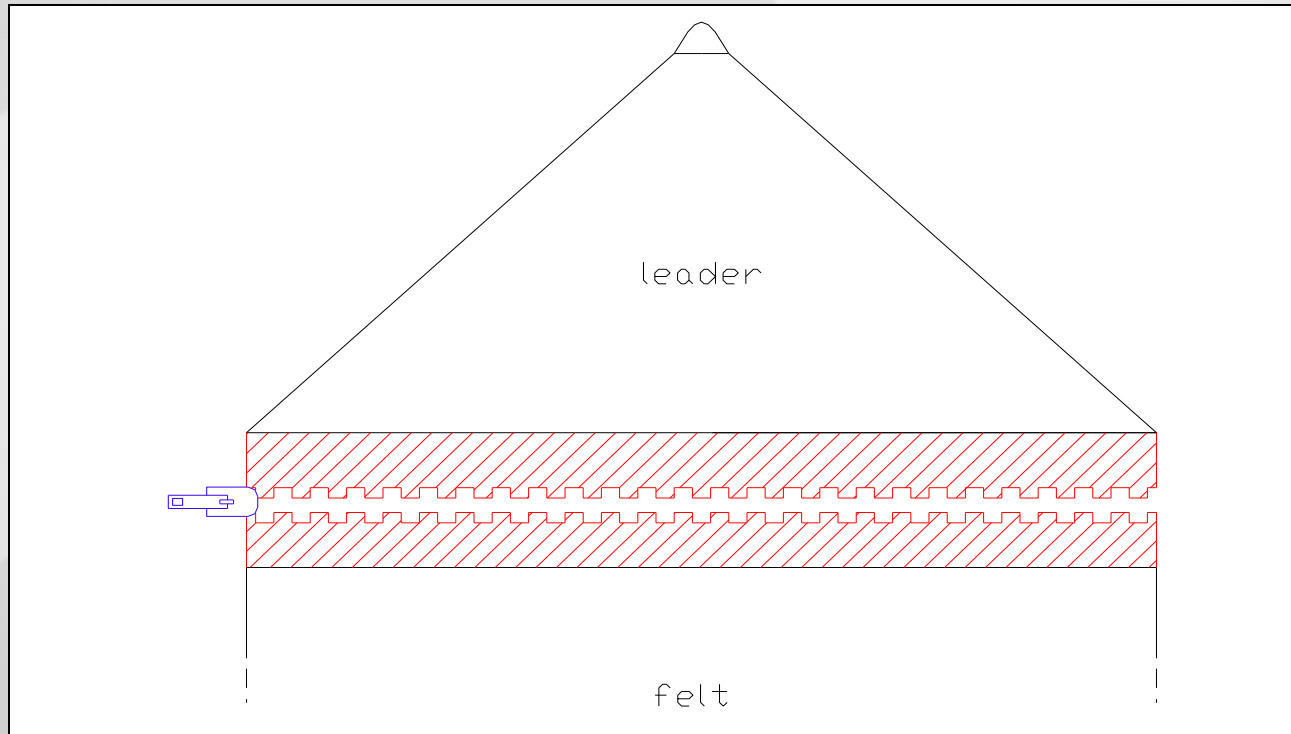
Felt width up to 8m



Felt width up to 10m

New Seamed Fabrics Leader

Locking system, version non re-utilizable



New Seamed Fabrics Leader

Locking system, version re-utilizable

